

Guide-Way Wipers



This project shall be co-financed
by the European Fund for Regional Development
and by the Ministry of Trade and Industry.



DIN EN ISO 9001:2000
Zertifikat: 01100035105



HESTEGO s. r. o.
Na Nouzce 7, CZ - 682 01 Vyškov
tel. +420 517 321 011
fax +420 517 321 010
e-mail: hestego@hestego.cz
www.hestego.cz



Company Profile

Our company was founded in 1995 for production of protective components for the moving parts of machine tools

1995

- Founding of the company HENNIG-IDEAL s.r.o.
- Beginning of the production of telescopic covers for the Czech market

1997

- Beginning of the production of steel flexible cable carriers, 95 % of which for export to Germany
- Beginning of the export of telescopic covers to Germany

1999

- The market share in telescopic covers in the Czech Republic is more than 90 %
- The share of export is 30 to 50 % of the company turnover

2001

- Beginning of the production of guide way wipers
- Moving to a new manufacturing plant with a production area of 3000 m². In this area, the production of telescopic covers can be increased to a target capacity of 2,000 to 2,500 covers per month.
- Cancel of the company HENNIG-IDEAL s.r.o.
- Founding of the company HESTEGO s.r.o.

2003

- Purchase of a CNC Trumatic 6000L plate forming centre including a TRUMPF Sheet Master 1606 multifunctional automation control system offering a state-of-the-art punching, forming and laser cutting technology.
- ČSN EN ISO 9001 quality system introduction and certification by TÜV Rheinland.
- Beginning of preparatory and design work on the Vyškov manufacturing plant extension by 3200m² of production area.

2005

- Building completion of the 2nd phase of our manufacturing plant with its manufacturer's area of 3200m²
- Installation of CNC center for metal machining BYSTRONIC-BYSTAR 3015/4400 W
- Installation of powder paint line IDEAL-LINE
- Displacement of firm domicile to Vyškov
- Start of active participation in international trade fairs of engineering

The company owns a very efficient design software enabling a 3D design. Thanks to our long experience in the telescopic covers design and development we are able to comply with wishes and needs of the most demanding customers. Our firm successfully combines own production with sub-contracted orders for metal sheet made cooperation.

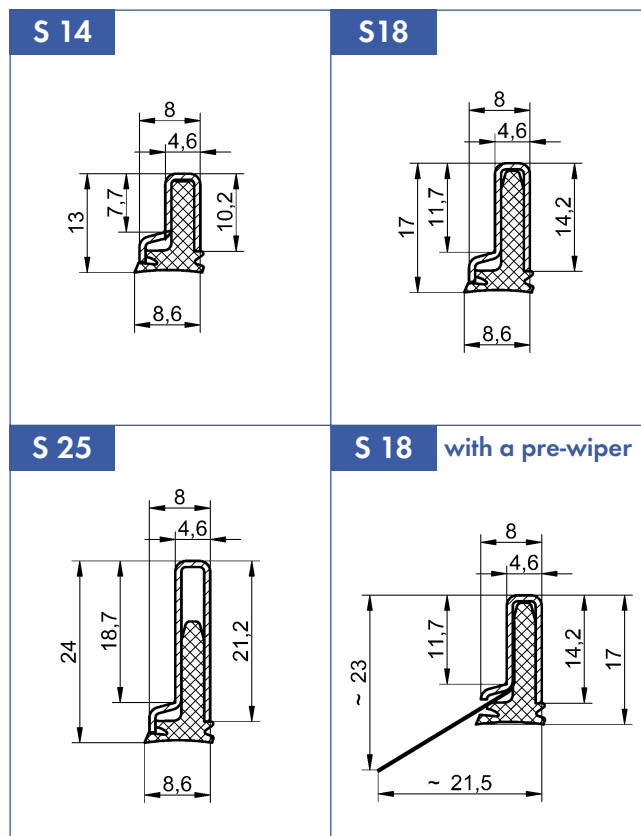
Guide-Way Wipers

HESTEGO offers a solution for wiping the guide ways of machine tools. The use of our wipers will contribute to keep the guide ways precise and to increase their service life.

Depending on their type, wipers can be screwed, riveted, glued, or spot-welded on a supporting profile.

Standard Guide-Way Wipers

We offer three types of wipers, 530 mm and 1,000 mm long; other lengths according to individual requirements (max. 3 m). The preload of the wipers is 1 mm. All three types can be supplied with a stainless steel pre-wiper. The dimensions stated apply for mounted state.



The dimensions stated apply for mounted state.

Wipers welded according to a drawing

They are made at customer's request according to a drawing. For welded wipers, S14, S18 and S25 sections can be used. The preload of the wipers is 1 mm. A pre-wiper can be used as well.

Shaped Vulcanised Wipers

They are made at customer's request according to a drawing in any technically feasible shape. For their production, it is necessary to make a mould. Shaped wipers are therefore suitable for regular supplies. For this reason, we recommend that these wipers be ordered by 20 pieces (smaller amounts can be supplied for an extra charge).

The preload of the wipers is Shaped vulcanised wipers 1 mm.

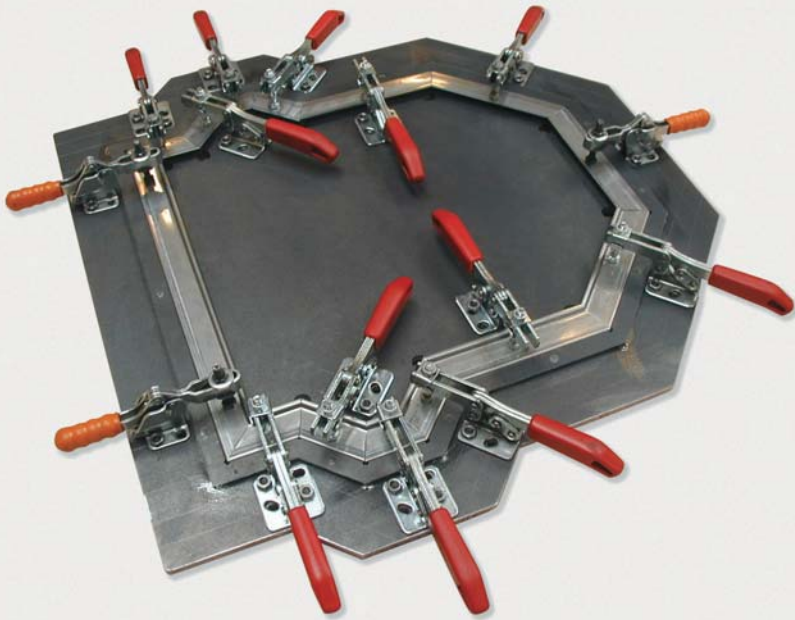
Order

For the standard types please mention:

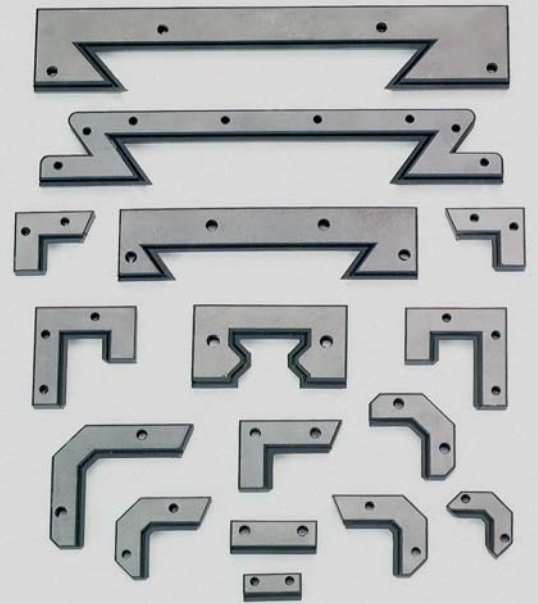
- blades type and required length
- number of pieces

For the types made according to the customer's request:

- wiper drawing
- number of pieces



Wipers welded according to a drawing - setting before welding



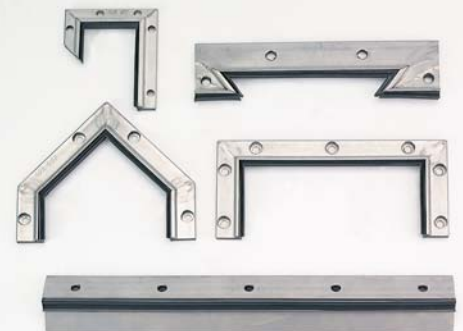
Different forms of shaped vulcanised wipers



Standard guide-way wipers



Shaped vulcanised wiper



Wipers welded according to a drawing



Wiper systems with stainless steel profile - type DSP



Wipers - type P

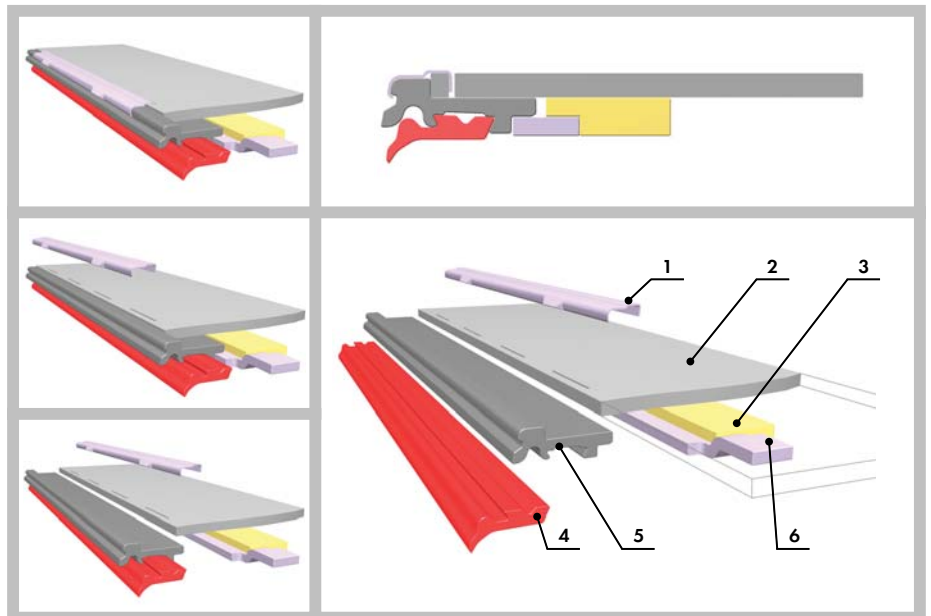
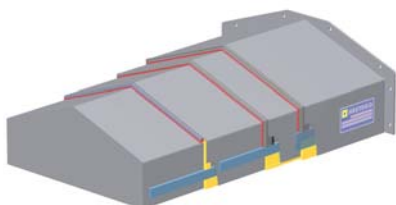


Standard guide-way wiper with a pre-wiper

Schematic design of the principle and procedure of wiper profile replacement

- 1) Spring clip, 2) Cover sheet, 3) Absorber, 4) Wiper profile, 5) Fixing profile, 6) Fixed holder

Alternate possibilities of interconnecting the individual components of the cover



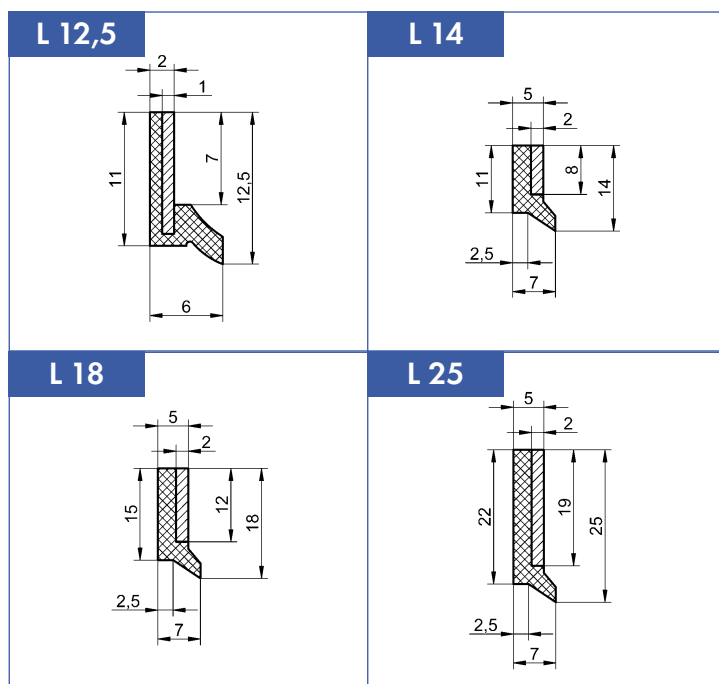
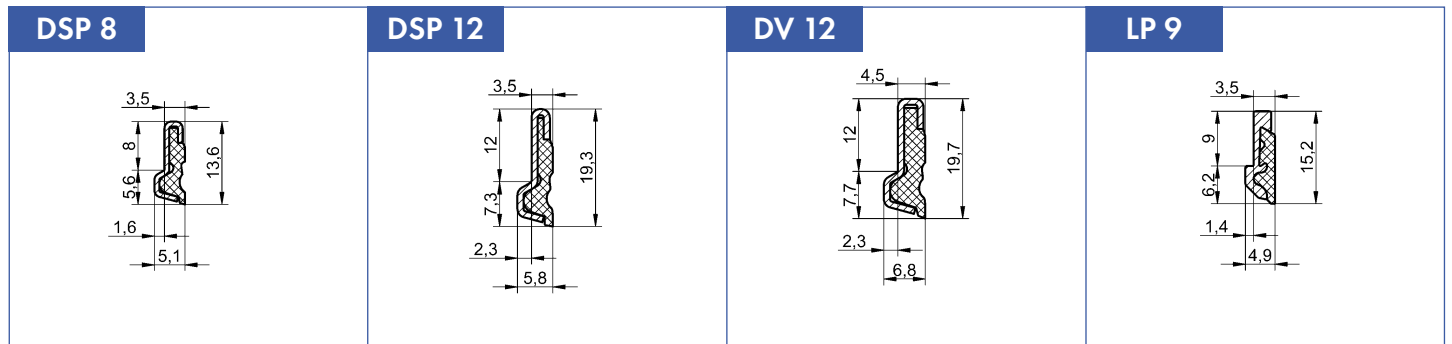
Wiper systems for telescopic covers

Supporting profile made from stainless steel

We offer for telescopic covers the wiper systems with a stainless steel profile - type DSP 8 (designed with bumper as well), typ DSP 12 and DV 12 in lengths 1000 mm a 3000 mm DSP 8 with bumper 500 mm only.

Supporting blade - cold drawn profil

Cold drawn blade typ LP, optionally LPV in lengths of 1000 mm and 3000 mm, (designed with bumper in length of 500 mm as well).



Wipers - Type L

They are produced as a steel molded strip with synthetic rubber in length of 500 mm.

Synthetic rubber coat features:

- Excellent mechanical properties
- High resistance of abrasion
- Resistance to short-term elevated temperature 135 °C
- Resistance to permanently elevated temperature 80 °C
- Resistance to mineral oils and coolants
- Excellent resistance against microorganisms

Wipers - Type P

They are produced as a steel molded strip with polyurethan coat in thicknesses shown in the drawing and in lengths of 500 mm. Reinforcement by a steel belt possible.

Polyurethan coat features:

- Excellent mechanical properties
- High resistance of abrasion
- Resistance to short-term elevated temperature 130 °C
- Resistance to permanently elevated temperature 90 °C
- Resistance to mineral oils and coolants
- Excellent resistance against hydrolyze
- Excellent resistance against microorganisms

